



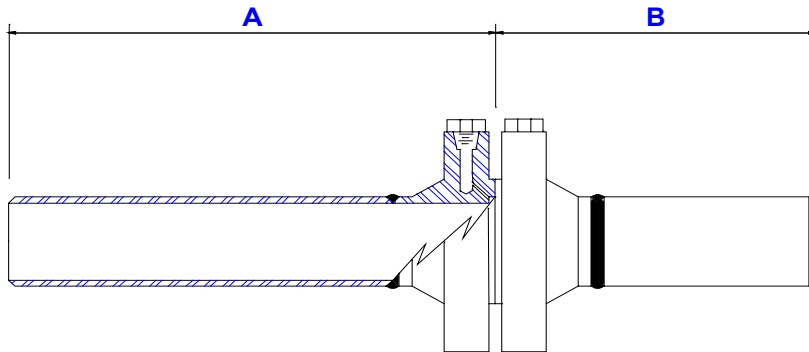
*Quality Products & Sales Inc*  
*Orifice Metering Division*

PO Box 7

Broken Arrow Ok 74013

Local #(918) 251-0115 \* Watts #(800) 444-4634 \* Fax #(918) 455-1982

**Honed Corner Tap Meter Tubes**



PIPE SIZE	STANDARD PIPE INSIDE DIAMETER	UPSTREAM LENGTH	DOWNSTREAM LENGTH	STANDARD PRESSURE CONNECTIONS PER UNIT
	<b>S/40</b>	<b>A</b>	<b>B</b>	
1/2	.622	12"	6"	(2) 1/8" FNPT
3/4	.824	24"	12"	(2) 1/8" FNPT
1	1.049	24"	12"	(2) 1/8" FNPT
1-1/2	1.610	24"	12"	(2) 1/8" FNPT

**MATERIALS:** Carbon Steel, Stainless Steel, Chromoly

*Other materials, sizes and styles available*

**INSPECTION PER:** ASME B31.1

ASME B31.3

A.P.I. 1104

**TESTING AVAILABLE**

Radiograph

Liquid Dye Penetrant

Hydro-test

Magnetic Partical

Ultra-sound

Positive Material Inspection

Surface Finish Test

**OPTIONAL END CONNECTIONS:**

Beveled Ends

Flanged

Threaded

Concentric & Eccentric Reducer

Elbow

*Orifice Plates Sold Separate*